

SPECIFICATION FOR APPROVAL

承认书

Customer (客户): _____

Product Name (产品名称): _____ 15寸低音 _____

Our company Part No. (本厂型号): _____ MR15H82 _____

Specification (规格): _____ 15寸铝架190磁75芯 _____

Customer's Model No. (客户型号): _____

Specification No. (规格书编号): _____

Number of the edition (版本号): _____ AA _____

目录 (Contents):		
制品规格书 (Specification)	---	P. 2
频率响应特性图 (SPL VS Freq)	---	P. 3
阻抗特性图 (IMP VS Freq)	---	P. 3
成品图 (Product Drawing)	---	P. 4
参数表 (Parameter List)	---	P. 5
尺寸图 (Dimensioned Drawing)	---	P. 6
包装仕様书 (Package Sample book)	---	P. 7
CUSTOMER'S APPROVED SIGNATURE 客户承认盖章		
Approved by 核准	Checked by 审核	Issued by 制成

制品规格书

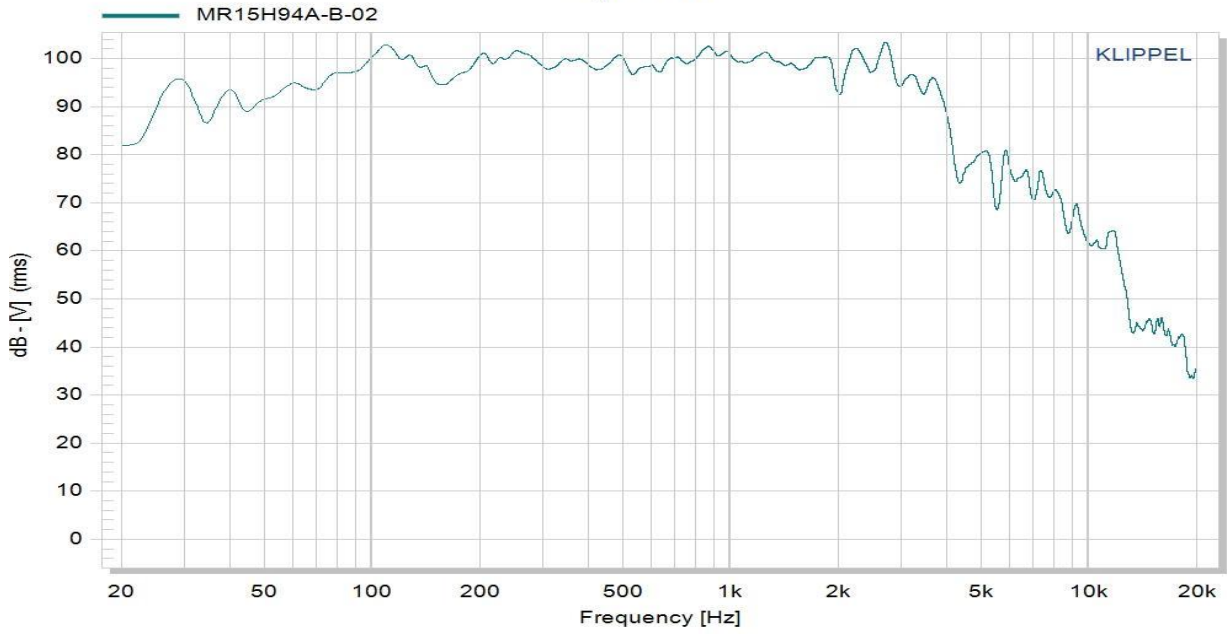
	试验项目	规格	测试条件
1	标称阻抗 NOMINAL IMPEDANCE	8 Ω	
2	音圈 VOICE COIL	6.2 Ω ±5%	喇叭的直流电阻
3	共振频率 (F0) RESONANCE FREQUENCY	38± 20% HZ	AT 1V
4	有效频宽 EFFECTIVE FREQUENCY RANGE	38-4.2kHz	Dev: -10db; AT 1V
5	输出声压水平 Output Sound Pressure Level	94±2dB	Sine Wave At 1 w, 1 m At 200 400 600 1000 KHZ
6	异常测试 BUZZES & RATTLE TEST	异常无发生	Inspect at 28 V
7	品质参数 QUALITY PARAMETER	MUST BE NORMAL	“KLIPPEL” System
8	等效容积 CUBAGE EQUIVALENT	173±30%	“KLIPPEL” System
9	额定输入功率 RATED INPUT POWER	500W	AES 工作频率范围: 38 HZ- 4.2K HZ
10	最大输入功率 MAXIMUM INPUT POWER	800W	
11	失真 DISTORTION	以下 7% MAX.	
12	磁束密度 FLUX DENSITY	K GAUSS	
13	重量 WEIGHT	7.8kg	
14	前障板开口 BAFFLE OPENING	355mm	
15	绝缘电阻 WSULATION RESISTANCE	>10M Ω MORE	MEAGUIED WITH 100V DC APPLIED FOR 1 MIN BETWEEN A TERMINAL AND A FRAME
16	音圈规格 V. C. Size	75.5mm (3inch)	
17	磁铁 MAGNET	Main (主) 190*90*20 mm Sub (付)	
18	备注 Remark	Xmax 3 mm	
19	负荷测试 Load Test	Rated Power, 2 Hours, Pink Noise, with Program Simulating Filter. Meeting Requirement of “Item6” after Test 以粉噪声在额定功率下, 串接模拟节目信号滤波器, 连续2小时测试结果需符合第6项之要求。	
20	耐热测试 Heat Test	60±2℃ at 20~40%R.H. for 96 hours and room ambient condition for 1 hour.Meeting requirement of “Item 6” after test. 置于温度摄氏60±2℃, 湿度20~40%烘箱内96小时之后, 再放置于室内环境下1小时后. 测试结果需符合第6项之要求`	
21	低温试验 SUBZERO TEST	-18±2℃ at 20~40%R.H. for 96 hours and room ambient condition for 1 hour.Meeting requirement of “Item 15” after test. 置于温度摄氏-18±2℃, 湿度20~40%烘箱内96小时之后, 再放置于室内环境下1小时后. 测试结果需符合第6项之要求	
22	耐湿测试 Humidity Test	40±2℃ at 90~95% R.H. for 96 hours + room ambient condition for 1 hours.Meeting requirement of “Item 15” after test. 置于温度摄氏40±2℃, 湿度90~95%烘箱内96小时之后, 再放置于室内环境下1小时后. 测试结果需符合第6项之要求	
23	极性测试 Polarization	With positive voltage applied to “+” terminal, the cone shall move away from pole piece. 当正电压接至 “+” 的端子板时, 纸盆移离上板	

喇叭曲线图

频响曲线

Fundamental + Harmonic distortion components

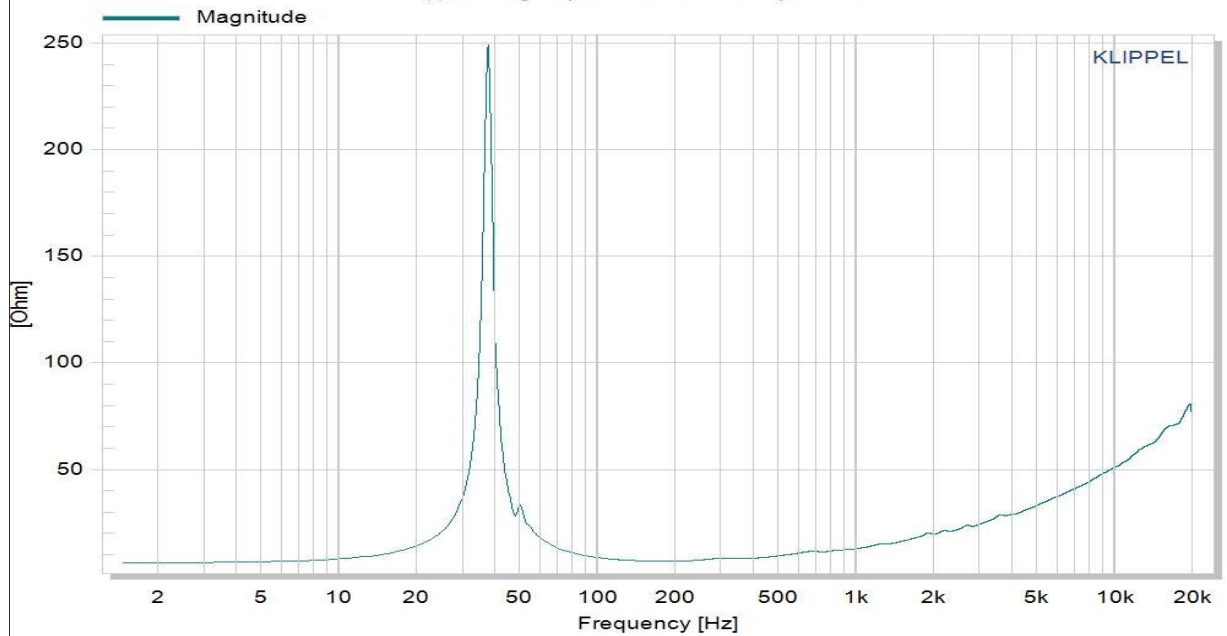
Signal at IN1



阻抗曲线

Magnitude of transfer function $H(f)$

$H(f) = \text{Voltage Speaker 2} / \text{Current Speaker 2}$



喇叭成品图

正面图



背面图



产品规格书

Specification

Model:MR15H82 15寸铝架190磁75芯

General Specifications 普通规格

Nominal Diameter	标准直径	397mm/15.6inch
Nominal Impedance	标称阻抗	8Ω
AES Power Handling	AES功率	500W (AES)
Maximum Power	最大功率	800W
Sensitivity 1W/1M	灵敏度	94dB
Frequency Range	频响范围	38-4.2kHz
Voice Coil Diameter	音圈直径	75.5mm/3 inch
Winding Material	线材	Copper
Former Material	管材	Aluminum
Winding Depth	卷幅	16mm
surround material	折环材质	Polycotton
surround Design	折环设计	M-roll
Magnet	磁体	Φ190 Ferrite Ring

Thiele & Small Parameters 参数

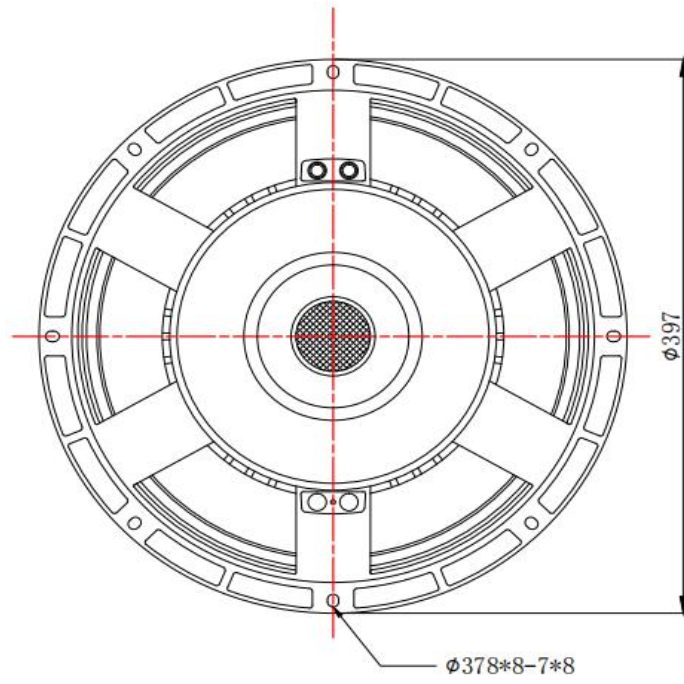
Resonance Frequency	共振频率	Fs	38Hz
DC Resistance	直流电阻	Re	6.2Ω
Mechanical Factor	机械品质因数	Qms	19.1
Electrical Factor	电品质因数	Qes	0.39
Total Factor	总品质因数	Qts	0.38
BL Factor	磁力	BL	20T.m
Effective Moving Mass	有效移动质量	Mms	107g
Compliance	力顺	Cms	167μ M/N
Equivalent Cas Air Load	有效容积	Vas	173L
Effettive Piston Area	振动面积(有效活塞面积)	Sd	855cm ²
η (Eta Zero)	扬声器效率	η0	2.3%

Mounting & Shipping Information

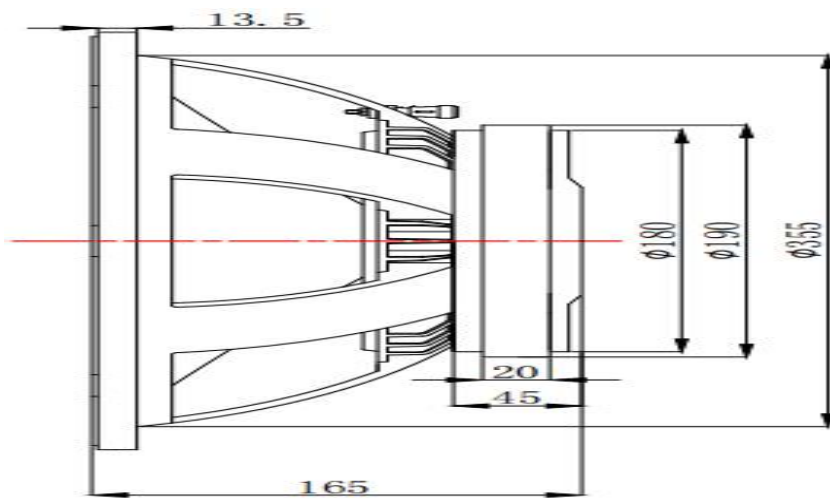
Overall Diameter	外径	397mm
Bolt circle diameter	安装孔径	378mm
Baffle Cutout Diameter	面板开孔径	355mm
Depth	高度	165mm
Net Weight	净重	7.8kg
Shipping Weight	毛重	8.2kg
Shipping Box(Single)	单包装尺寸	39.5*39.5*17cm

成品尺寸图

正面尺寸图



侧面尺寸图



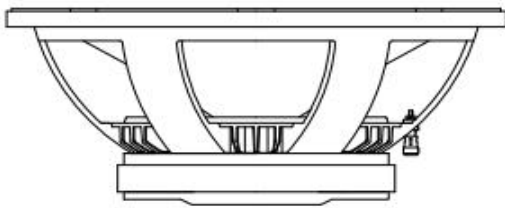
包装规范 Packaging specifications

本厂型名
Model Colde

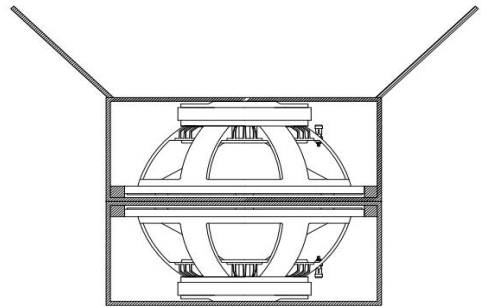
MR15H82

包装方法：将喇叭用塑胶袋装好，放入内箱封装，封装好的内箱一正一反相叠放入外箱并封装，并将标签如（图6）贴付。

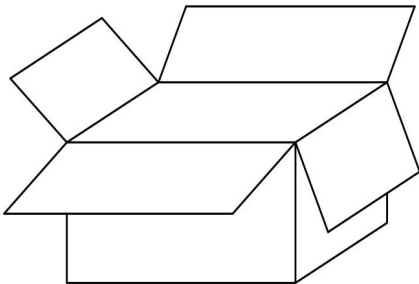
①



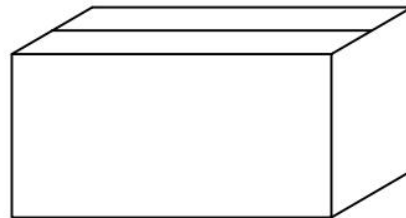
④



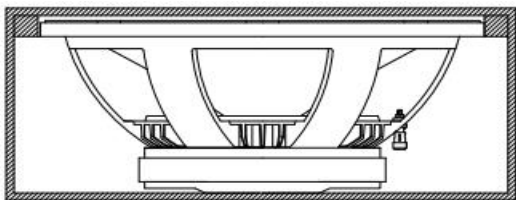
②



⑤



③



⑥

