

75T36-8TF

COMPRESSION DRIVER



KEY FEATURES:

- 107.5dB 1W/1m sensitivity
- 1.4inch horn throat diameter
- 60W IEC power handling
- 700Hz-18kHz frequency response
- 74.55mm (3.0in) flat aluminum voice coil
- Titanium diaphragm
- Ferrite magnetic structure
- Suitable for compact two way systems and multiway systems

GENERAL SPECIFICATIONS¹

Throat Diameter	36mm (1.4in)
Nominal Impedance	8Ω
Minimum Impedance	7.3Ω at 4000Hz
IEC Power Rating ²	60W
Long-term Maximum Power Handling ³	120W
Short-term Maximum Power Handling ⁴	240W
Sensitivity (1W/1m) ⁵	107.5dB
Recommended Crossover ⁶	1.0kHz
Frequency Range	700Hz-18kHz
Voice Coil Diameter	74.55mm
Winding Material	Flat Aluminum
Former Material	Kapton
Flux Density	1.7T
Diaphragm Material	Titanium
Phase Plug Material	Aluminum
Cover Material	Cast Aluminum
Magnet Material	Ferrite
Net Weight	4.8kg

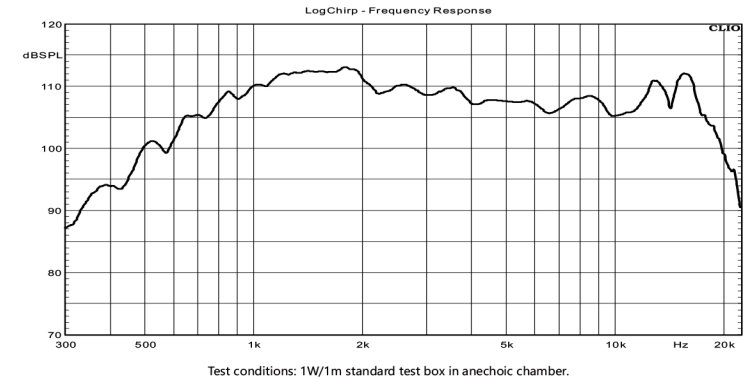
DIMENSIONS

Overall Diameter	170mm
Total Depth	67mm

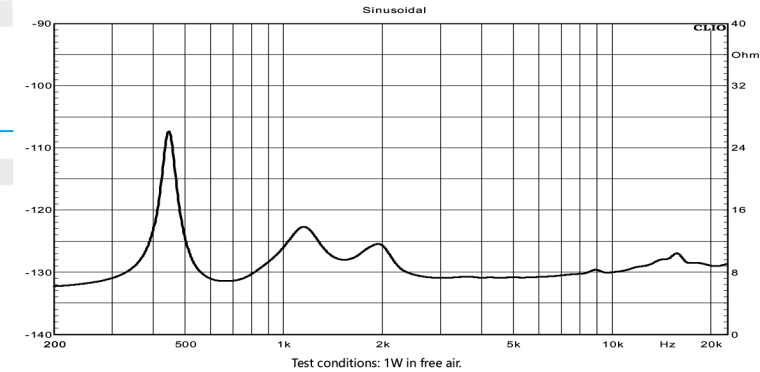
MOUNTING INFORMATION

N. of Mounting Holes	4×M6 holes 90°
Bolt Circle Diameter	102mm

FREQUENCY RESPONSE CURVE

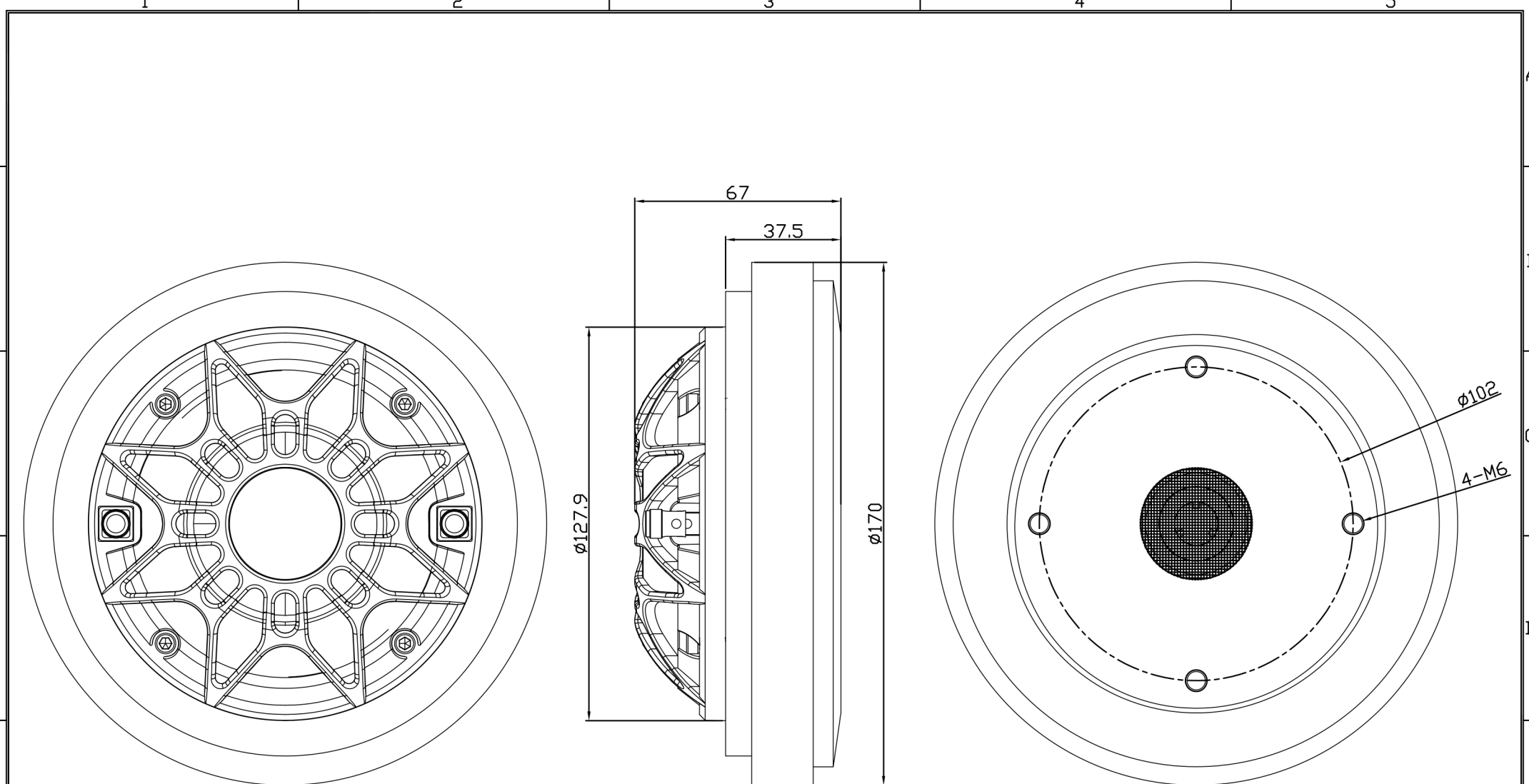


IMPEDANCE CURVE



NOTES:

1. Driver mounted on 250×250×135H horn.
2. 100 hours test according to IEC 60268-5 standard. Power calculated on rated minimum impedance.
3. 2 hours test according to IEC 60268-5 standard. Power calculated on rated minimum impedance.
4. 2 hours test according to IEC 60268-5 standard. Power calculated on rated minimum impedance.
5. Applied RMS Voltage is set to 2.83 V for 8 ohms Nominal Impedance.
6. 12 dB/oct. or higher slope high-pass filter.
7. Power test made with continuous pink noise signal within the range from the recommended crossover frequency to 20 kHz.



Mod. 75T36-8TF		
Scale:1:1.5	Dimensions in mm	A4
