

25T25-8PFB

COMPRESSION DRIVER

REFERENCE MODEL: JBL 2414H-C



KEY FEATURES:

- 107dB 1W/1m sensitivity
- 1 inch horn throat diameter
- 15W IEC power handling
- 1.2kHz-20kHz frequency response
- 24.75mm (1.0in) copper clad aluminum voice coil
- Polymer diaphragm
- Ferrite magnetic structure
- Suitable for compact two way systems and multiway systems

GENERAL SPECIFICATIONS¹

Throat Diameter	25.4mm (1in)
Nominal Impedance	8Ω
Minimum Impedance	5.8Ω at 5600Hz
IEC Power Rating ²	15W
Long-term Maximum Power Handling ³	30W
Short-term Maximum Power Handling ⁴	60W
Sensitivity (1W/1m) ⁵	107dB
Recommended Crossover ⁶	2.2kHz
Frequency Range	1.2kHz-20kHz
Voice Coil Diameter	24.75mm
Winding Material	Copper Clad Aluminum
Former Material	Kapton
Flux Density	1.8T
Diaphragm Material	Polymer
Phase Plug Material	Cast Aluminum
Cover Material	Cast Aluminum
Magnet Material	Ferrite
Net Weight	0.88kg

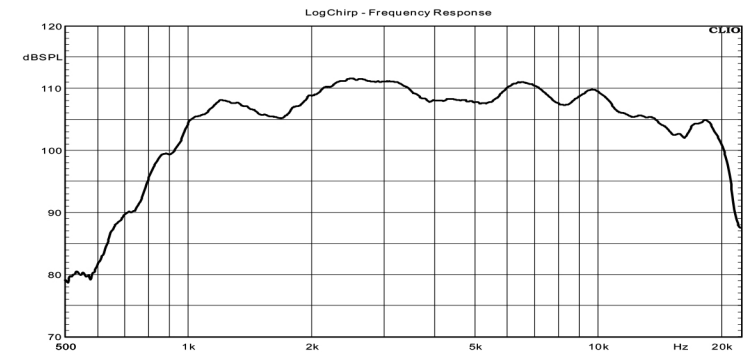
DIMENSIONS

Overall Diameter	86mm
Total Depth	65.6mm

MOUNTING INFORMATION

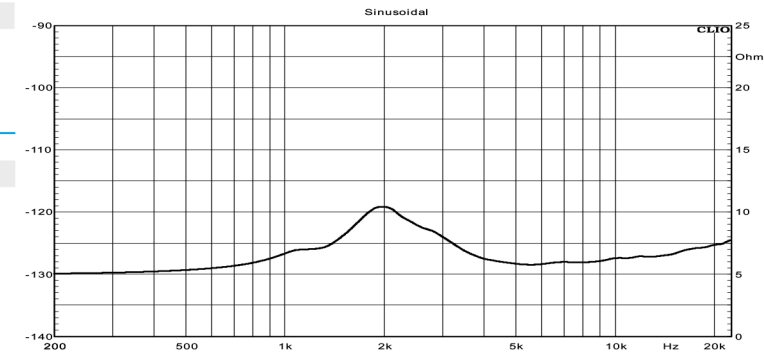
N. of Mounting Holes	1 3/8-18 UNEF-1A
Bolt Circle Diameter	N/A

FREQUENCY RESPONSE CURVE



Test conditions: 1W/1m standard test box in anechoic chamber.

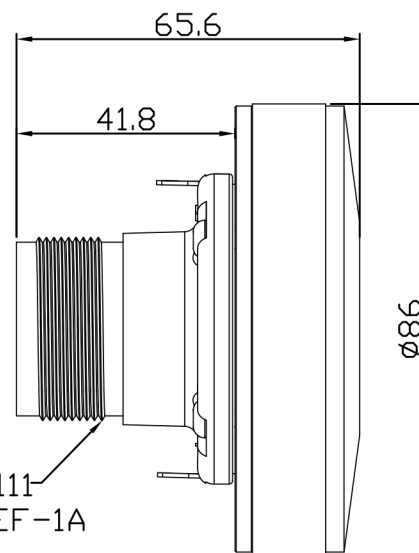
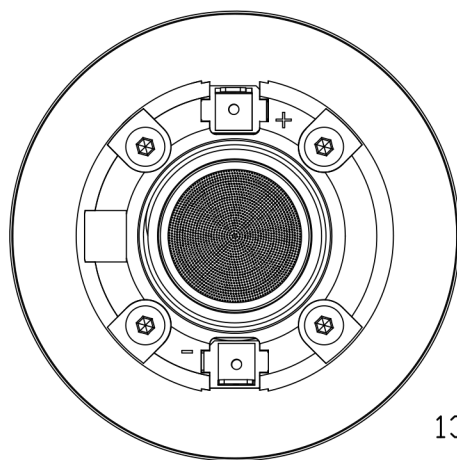
IMPEDANCE CURVE



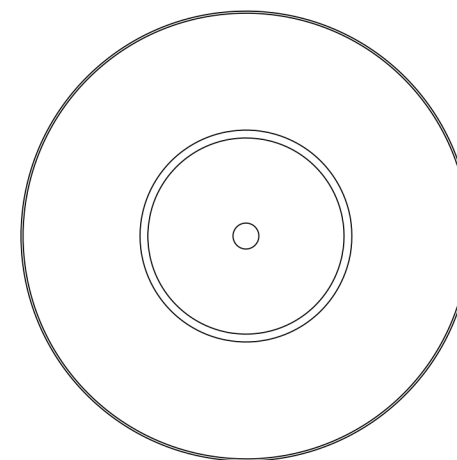
Test conditions: 1W in free air.

NOTES:

1. Driver mounted on 220×220×130H horn.
2. 100 hours test according to IEC 60268-5 standard. Power calculated on rated minimum impedance.
3. 2 hours test according to IEC 60268-5 standard. Power calculated on rated minimum impedance.
4. 2 hours test according to IEC 60268-5 standard. Power calculated on rated minimum impedance.
5. Applied RMS Voltage is set to 2.83 V for 8 ohms Nominal Impedance.
6. 12 dB/oct. or higher slope high-pass filter.
7. Power test made with continuous pink noise signal within the range from the recommended crossover frequency to 20 kHz.



Ø35*1.4111
13/8-18 UNEF-1A



Mod. 25T25-8PFB

Scale:1:0.5 Dimensions in mm A4

