

# 08W50-8PX

BASS/MID RANGE DRIVER



## KEY FEATURES:

- 95dB 1W / 1m sensitivity
- 49.55mm (2.0in) copper voice coil
- 150W IEC power handling
- 65Hz-3.5kHz frequency response
- Heavy-duty cast aluminum chassis for increased rigidity
- Suitable for compact two way systems and multiway systems

## GENERAL SPECIFICATIONS

Nominal Diameter	210mm (8in)
Nominal Impedance	8Ω
Minimum Impedance	7.0Ω
IEC Power Rating <sup>1</sup>	150W
Long-term Maximum Power Handling <sup>2</sup>	300W
Short-term Maximum Power Handling <sup>3</sup>	600W
Sensitivity ( 1W/1m ) <sup>4</sup>	95dB
Resonance Frequency	65Hz
Frequency Range	65Hz-3.5kHz
Voice Coil Diameter	49.55mm
Winding Material	Copper
Former Material	Polyimide
Winding Depth	12.6mm
Magnetic Gap Depth	8mm
Xmax <sup>5</sup>	4.9mm
Flux Density	1.2T
Basket Material	Cast Aluminum
Magnet Material	Ferrite
Suspension Material	Fabric
Surround Material	M-Roll Cloth-sealed
Cone Material	Curvilinear Paper
Net Weight	3.0kg

## THIELE SMALL PARAMETERS

Fs	66Hz	Mms	25g
Re	5.6Ω	Mmd	23g
Qms	4.9	Cms	0.23mm/N
Qes	0.40	Vas	16litres
Qts	0.37	Ref. Efficiency	1.1%
Le	0.44mH	Sd	227cm <sup>2</sup>
BL	12Tm	EBP	165Hz

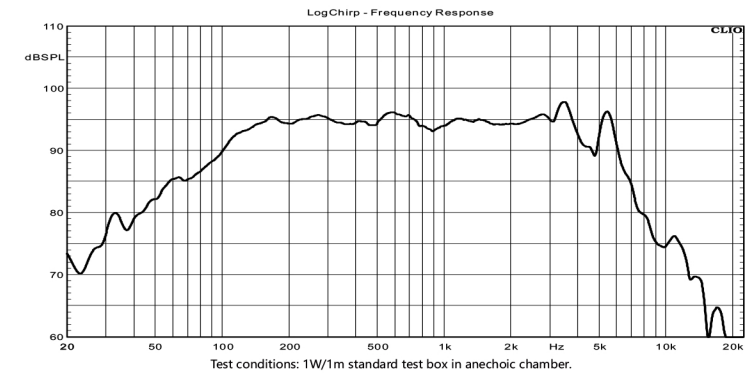
## DIMENSIONS

Overall Diameter	210mm
Total Depth	100mm
Depth (Excl. Flange)	91mm
Magnet Diameter	135mm

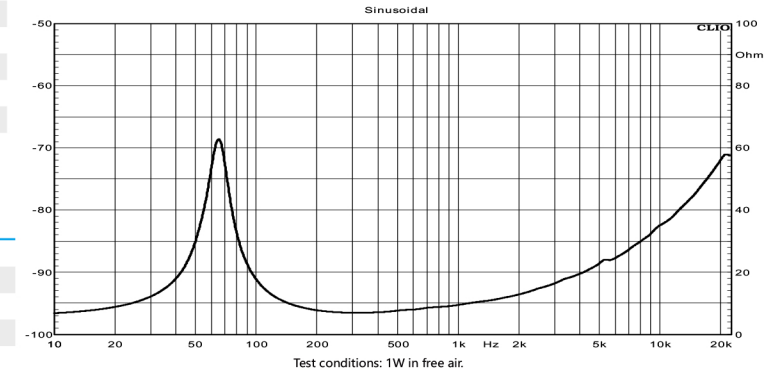
## MOUNTING INFORMATION

Baffle Cutout Diameter	186mm
Bolt Circle Diameter	197mm
N. of Mounting Holes	8
Mounting Holes Diameter	ø6.5mm

## FREQUENCY RESPONSE CURVE

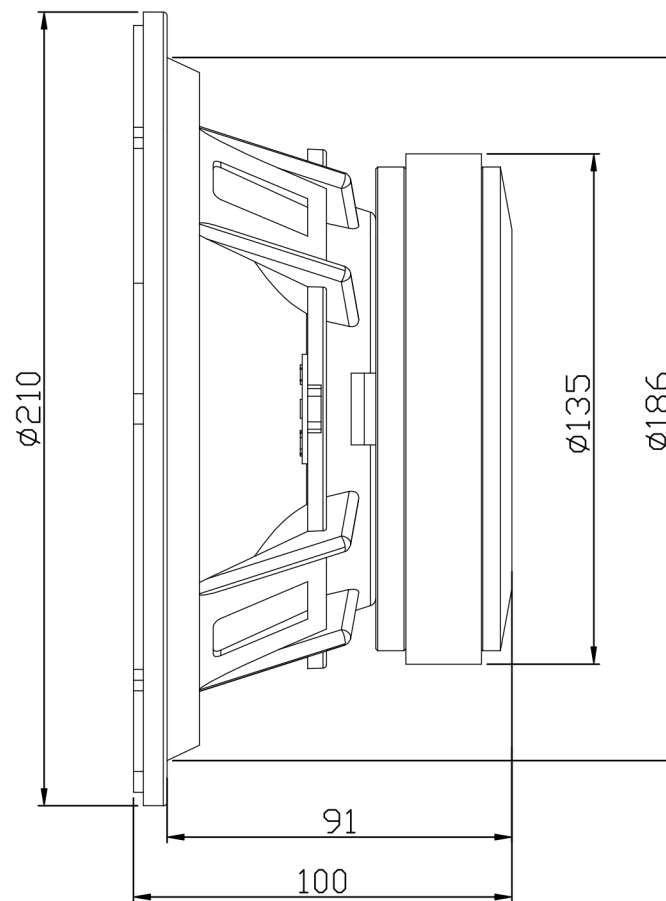
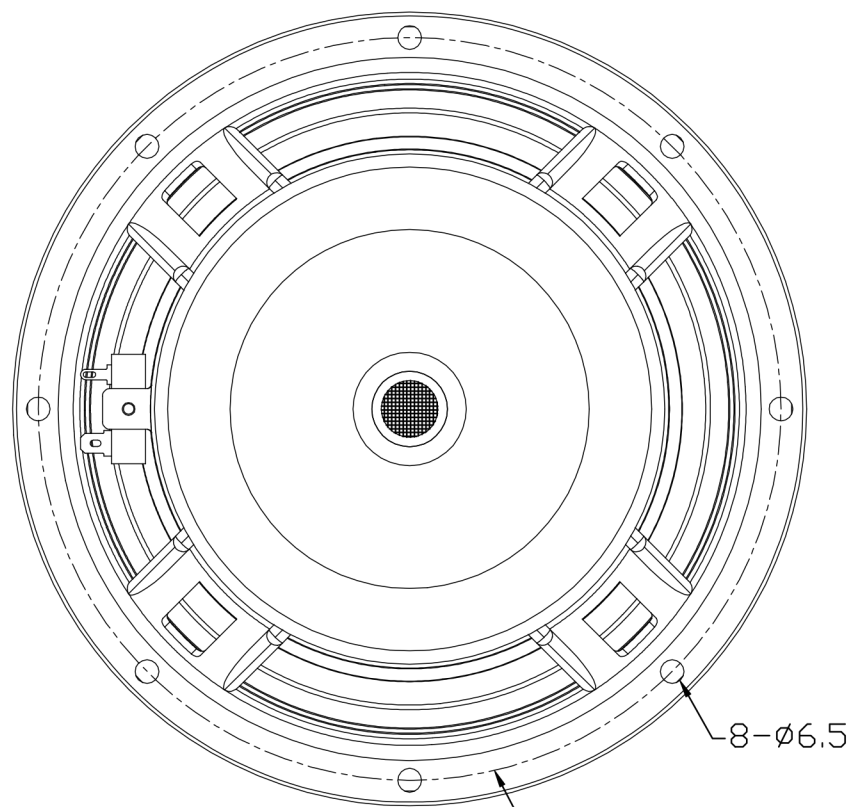


## IMPEDANCE CURVE



### NOTES:

1. 100 hours test according to IEC 60268-5 standard. Power calculated on rated minimum impedance.
2. 2 hours test according to IEC 60268-5 standard. Power calculated on rated minimum impedance.
3. 2 hours test according to IEC 60268-5 standard. Power calculated on rated minimum impedance.
4. Applied RMS Voltage is set to 2.83 V for 8 ohms Nominal Impedance.
5. Xmax = [(winding depth - magnetic gap depth)/2] + (magnetic gap depth/3).
6. Thiele-Small parameters are measured after a preconditioning test.
7. Power test made with continuous pink noise signal within the frequency range.



Mod. 08W50-8PX		
Scale:1:2	Dimensions in mm	A4
