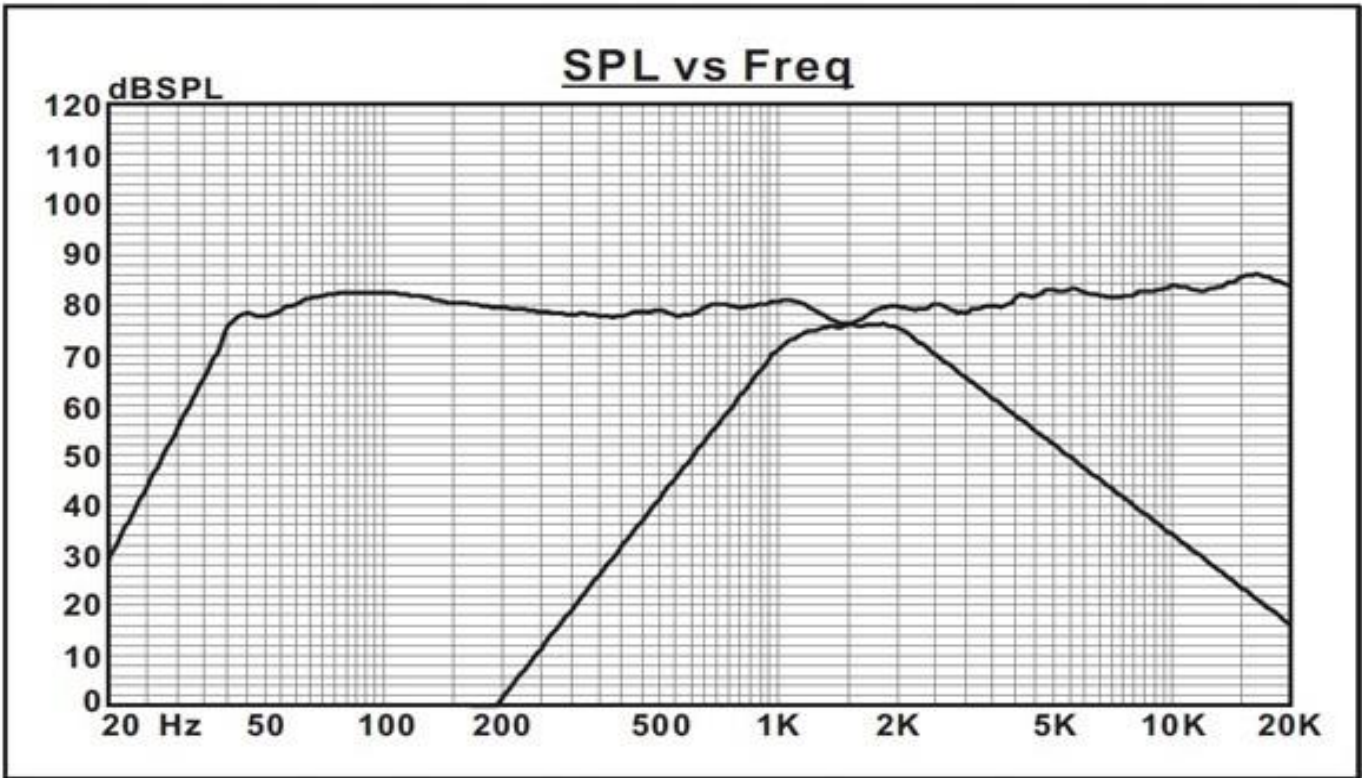
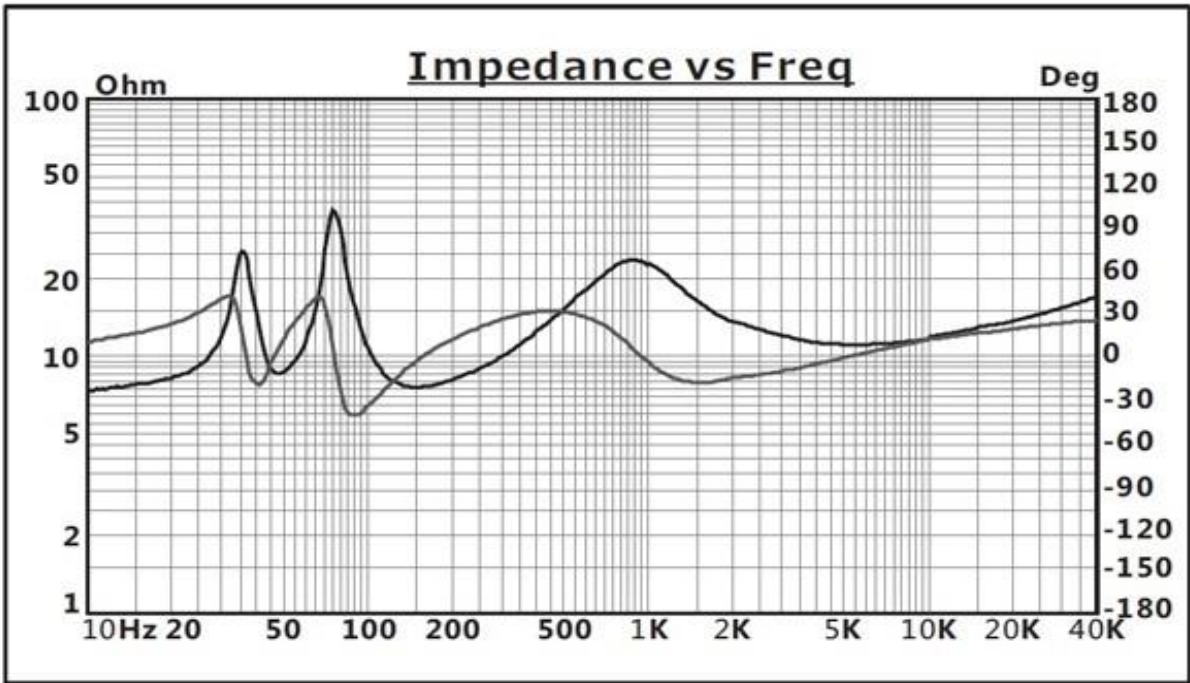


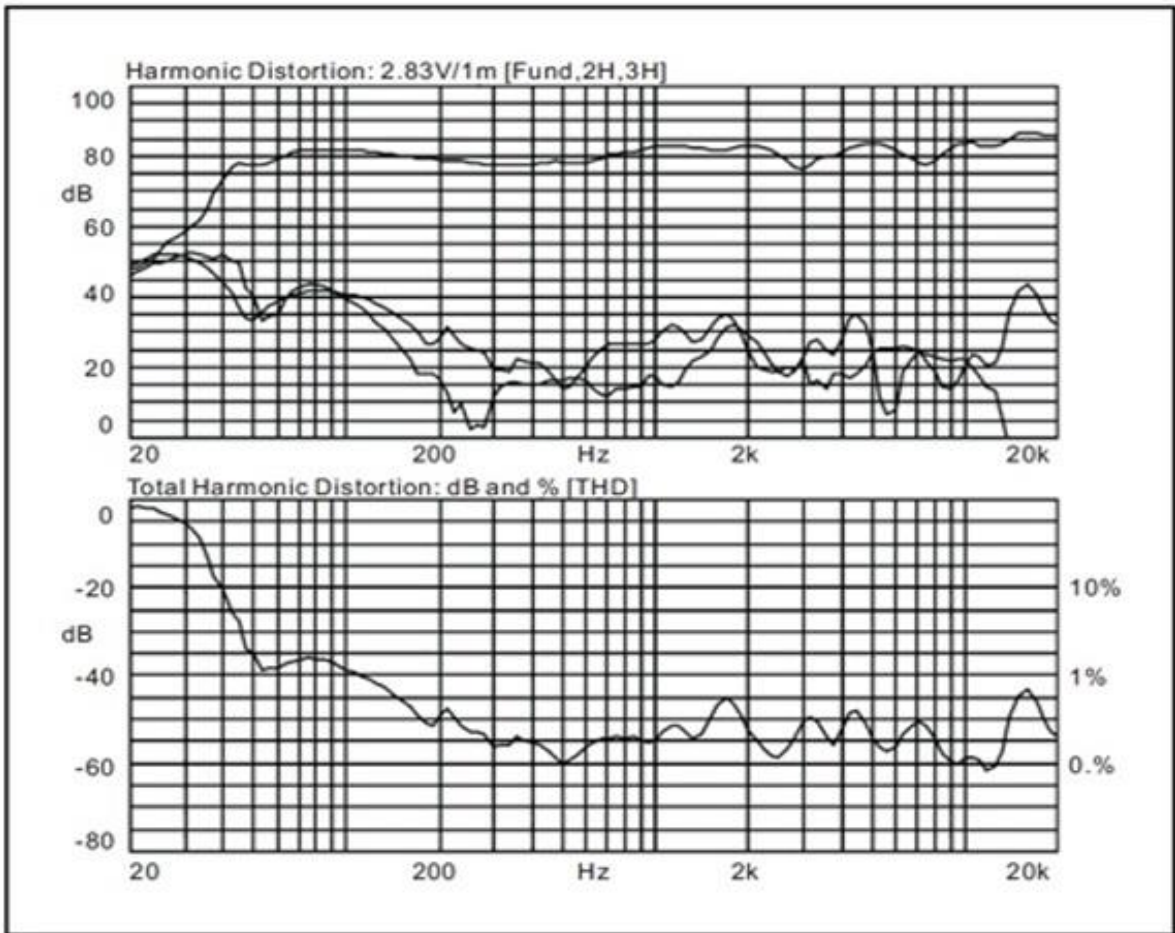
Frequency Response Curve



Crossover point curve

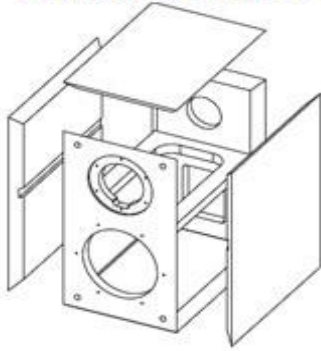


Impedance and Phase Curves

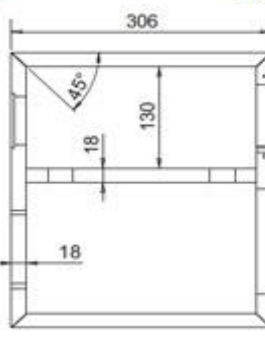
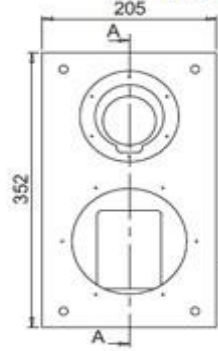


Harmonic Distortion 2.83V/1m

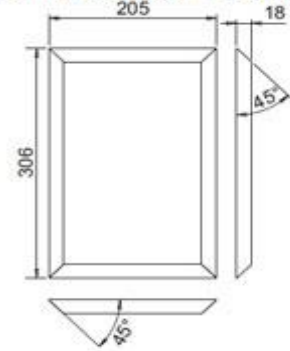
Exploded Diagram



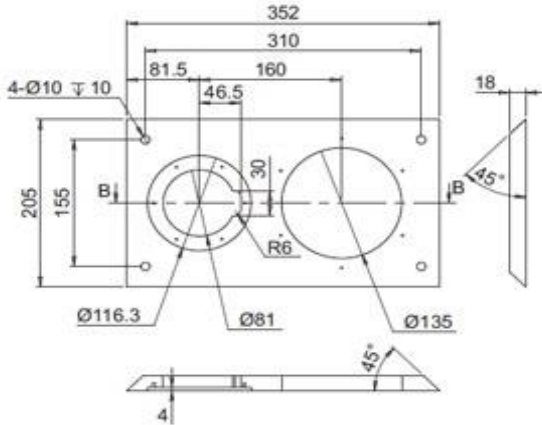
Box



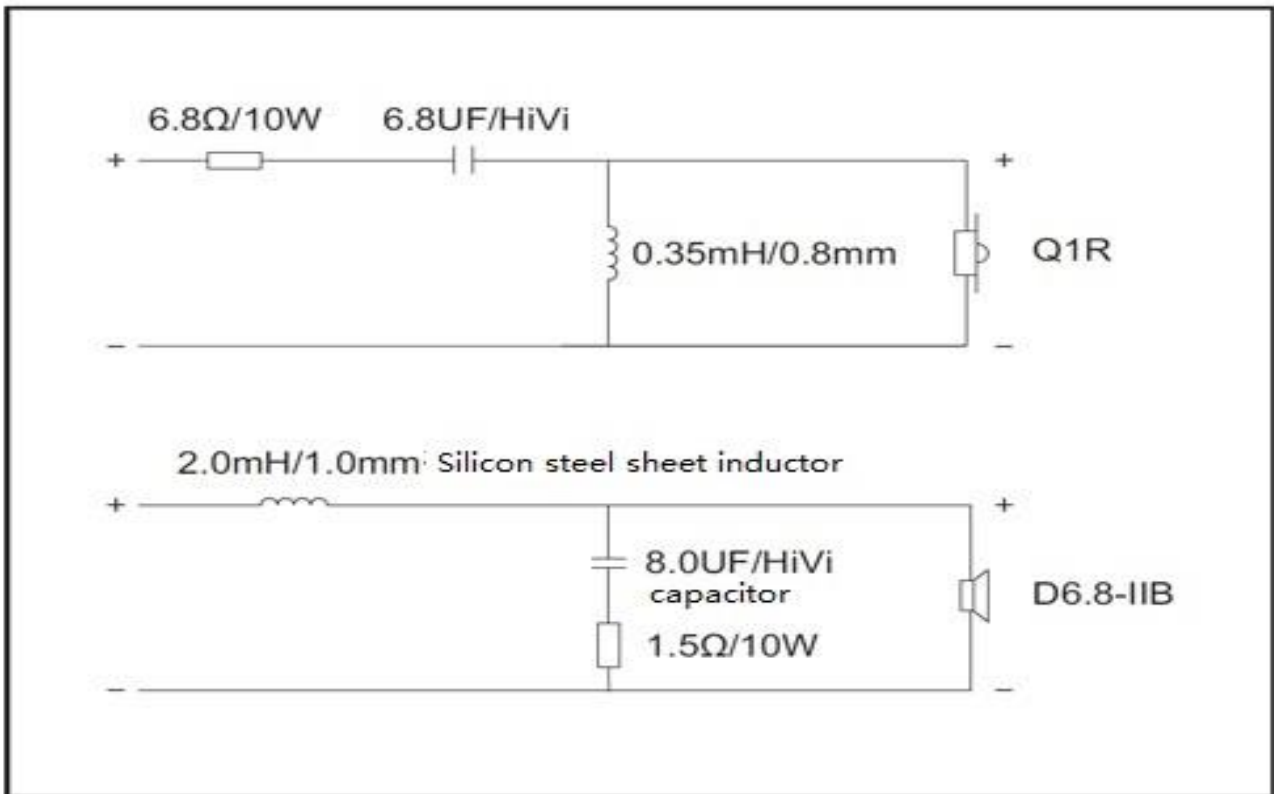
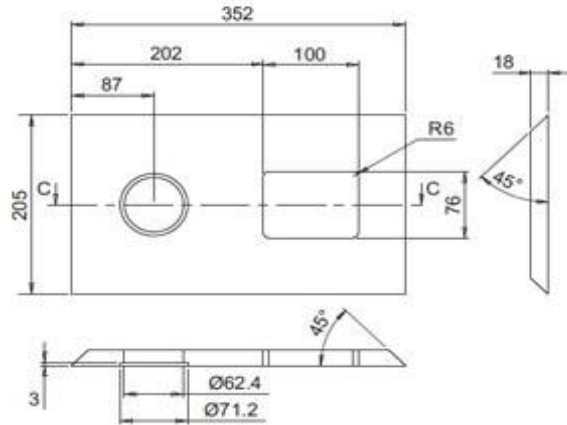
Top and bottom Panel



Front Panel



Back Panel



Divider circuit diagram