



广州美睿音响器材有限公司

GUANG ZHOU MEI RUI AUDIO EQUIPMENT CO.,LTD

SPECIFICATION FOR APPROVAL

承认书

Customer (客户): _____

Product Name (产品名称): 34芯高音

Our company Part No. (本厂型号): MR340C

Specification (规格): 黑色太阳纹后盖90磁34芯
(螺口带橙色盖) AJ-445/S

Customer's Model No. (客户型号): _____

Specification No. (规格书编号): _____

Number of the edition (版本号): AA

目录 (Contents) :

制品规格书 (Specification)	---P. 2
频率响应特性图 (SPL VS Freq)	---P. 3
阻抗特性图 (IMP VS Freq)	---P. 3
成品图 (Product Drawing)	---P. 4
参数表 (Parameter List)	---P. 5
尺寸图 (Dimensioned Drawing)	---P. 6
包装仕様书 (Package Sample book)	---P. 7

CUSTOMER'S APPROVED SIGNATURE 客户承认盖章

Approved by 核准	Checked by 审核	Issued by 制成

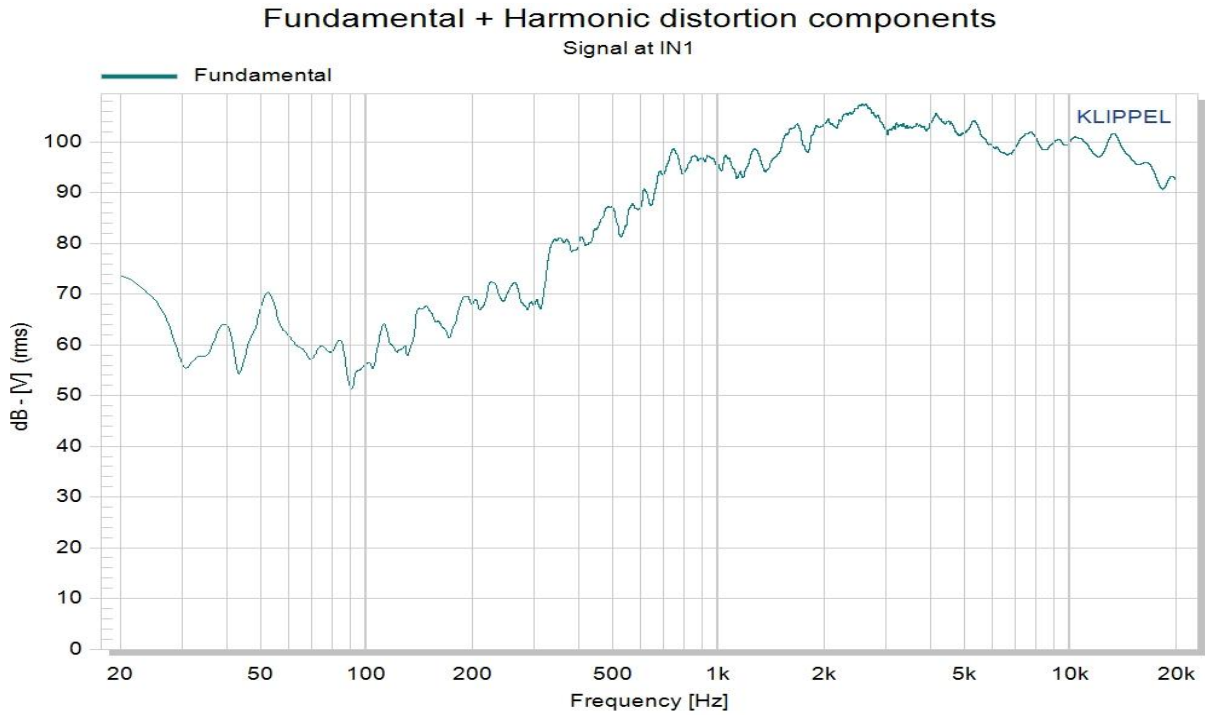


制品规格书

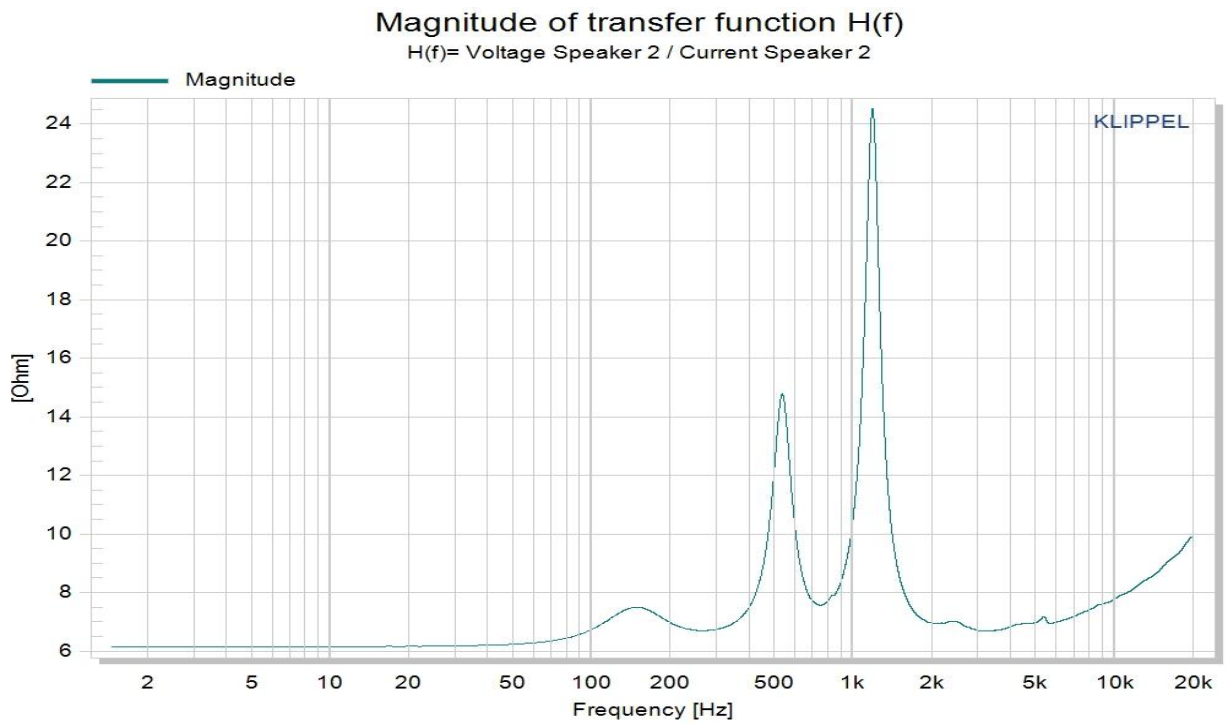
	试验项目	规格	测试条件
1	称标阻抗 NOMINAL IMPEDANCE	8Ω ±15%	
2	音圈 VOICE COIL	5.8Ω ±5%	喇叭的直流电阻
3	共振频率(F0) RESONANCE FREQUENCY	1.0K± 20% HZ	AT 1V
4	有效频宽 EFFECTIVE FREQUENCY	1-20kHz	Dev: -10db; AT 1V
5	输出声压水平 Output Sound Pressure	104±2dB	Sine Wave At 1 w, 0.5 m At KHZ
6	异常测试 BUZZES & RATTLE TEST	异常无发生	Inspect at 15.5 V
7	品质参数 QUALITY PARAMETER	MUST BE NORMAL	“KLIPPEL” System
8	等效容积 CUBAGE EQUIVALENT	/±30%	“KLIPPEL” System
9	额定输入功率 RATED INPUT POWER	60W	工作频率范围: 1KHZ-20K HZ
10	最大输入功率 MAXIMUM INPUT POWER	120W	
11	失真 DISTORTION	以下 7% MAX.	
12	磁束密度 FLUX DENSITY	K GAUSS	
13	磁铁 MAGNET	90*45*15	
14	重量 WEIGHT	0.96kg	
15	前障板开口 BAFFLE OPENING	/	
16	绝缘电阻 INSULATION RESISTANCE	>10MΩ MORE	MEASURED WITH 100V DC APPLIED FOR 1 MIN BETWEEN A TERMINAL AND A FRAME
17	负荷测试 Load Test	Rated Power, 2 Hours, Pink Noise, with Program Simulating Filter. Meeting Requirement of “Item6” after Test 以粉噪声在额定功率下,串接模拟节目信号滤波器,连续2小时测试结果需符合第6项之要求。	
18	耐热测试 Heat Test	60±2°C at 20~40%R.H. for 96 hours and room ambient condition for 1 hour.Meeting requirement of “Item 6” after test. 置于温度摄氏60±2°C.湿度20~40%烘箱内96小时之后,再放置于室内环境下	
19	低温试验 SUBZERO TEST	-18±2°C at 20~40%R.H. for 96 hours and room ambient condition for 1 hour.Meeting requirement of “Item 15” after test. 置于温度摄氏-18±2°C.湿度20~40%烘箱内96小时之后,再放置于室内环境	
20	耐湿测试 Humidity Test	40±2°C at 90~95% R.H. for 96 hours + room ambient condition for 1 hours.Meeting requirement of “Item 15” after test. 置于温度摄氏40±2°C.湿度90~95%烘箱内96小时之后,再放置于室内环境下	
21	极性测试 Polarization	With positive voltage applied to “+” terminal, the cone shall move away from pole piece. 当正电压接至“+”的端子板时,纸盆移离上板	



喇叭曲线图 频响曲线



阻抗曲线





喇叭成品图

正面图



背面图





产品规格书

Specification

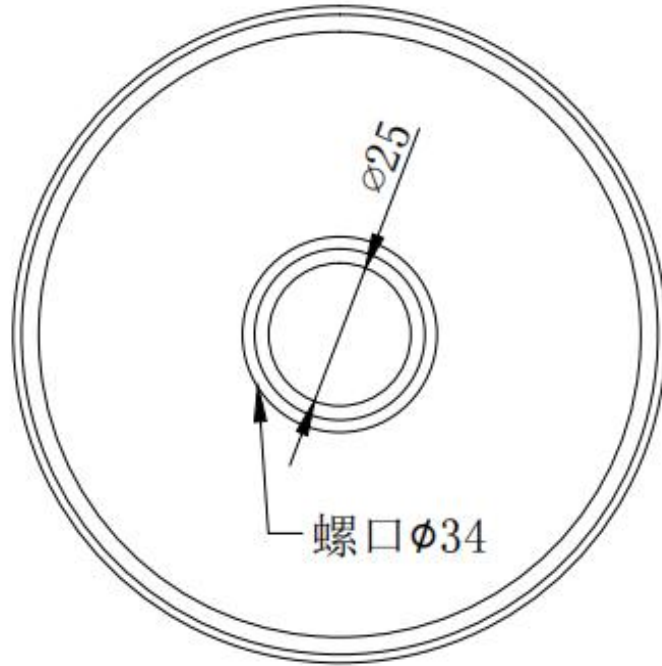
Model:MR340C 黑色太阳纹后盖90磁34芯（螺口带橙色盖）AJ-445/S 螺口

General Specifications	普通规格	
Throat Diameter	喉口直径	25mm/1 inch
Nominal Impedance	标称阻抗	8Ω
RMS Power Input	额定功率	60W
MAX Power Input	最大功率	120W
Sensitivity 1W/1M	灵敏度（带号角）	104dB
Frequency Range	频响范围	1~20K Hz
Voice Coil Diameter	音圈直径	34mm/1.33inch
Voice Winding Material	线材	Copper
Diaphragm Material	膜片材质	titanium
Magnet	磁体	Ferrite Ring
Mounting & Shipping		
Overall Diameter	外径	91mm
Baffle Cutout Diameter	面板开孔径	/
Depth	高度	68mm
Net Weight	净重	0.96kg
Shipping Weight	毛重	1.0kg
Shipping Box (8Unit)	包装尺寸	11.5*10*7cm



成品尺寸图

正面尺寸图



侧面尺寸图

